

LD Picture Light



Miniature 24V LED Picture Light

Data sheet - Page 1



Design: Brilliant Lighting Product: LD Picture Light

LD picture lights are designed to light paintings and artwork effectively; which means with adequate light and good colour rendering with no UV. LD Picture lights now come with 90+ CRI LEDs, for even better colour rendering and even higher lumen output. Depending on the finishes specified, they will suit projects with either period or contemporary furnishings and décor.

Key Features

- Brand new choice of LED tapes with higher outputs
- New 90+ CRI option
- Very slim profile for minimal viewing angles
- Height adjustable with 90deg tilt head LED assembly is set deep within the profile for reduced glare
- Very lightweight
- High quality look and feel with machined end caps and brass arms
- Standard lengths and custom lengths available
- Frosted cover available for a more diffused wash
- Available with Switched, 1-10V, DMX or Dali drivers



Specification

| LED output options | LG1200 1200 lm/m | | LG2000 2000 lm/m | |
|-------------------------|---|------------------------|------------------------|------------------------|
| Applications | | | | |
| Description | Standard output tape | | High output tape | |
| Colour Temperature | 2000K / 2400K 5000K | 2700K / 3000K 4000K | 2000K / 2400K 5000K | 2700K / 3000K 4000K |
| CRI | 80+ | 90+ | 80+ | 90+ |
| Delivered lumens / m | 1200lm/m | | 2000lm/m | |
| Lumens per watt | 115lm/w | | 111lm/w | |
| Voltage (V) | 24V DC | | | |
| LED cut increments | 100mm | | | |
| LED spacing | 14.3mm | | | |
| Min length | 230mm | | | |
| Max length* | 3030mm | | | |
| LED | Osram Flex | | | |
| Watts / m | 10.4W/m | | 18W/m | |
| LED lifetime | 50,000hrs (to 70% lumen output) | | | |
| Max ambient temperature | 45°C | | | |
| Materials | Silver anodised aluminium extrusion, aluminium machined end caps, brass arms and knuckle joints | | | |
| Cable length | Comes pre-wired with 2 single 500mm leads | | | |
| Accessories | Clear, frosted cover | | | |
| IP rating | IP40 | | | |

* Shipping and practicalities of installation need to be considered when specifying long lengths

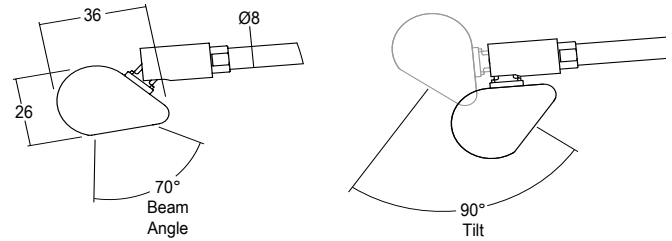
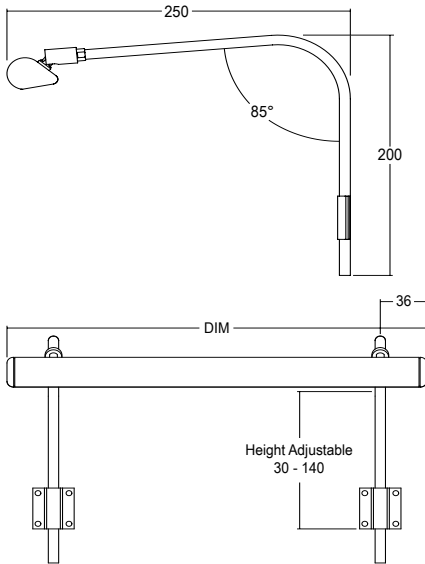
LD Picture Light

Miniature 24V LED Picture Light



Data sheet - Page 2

Fixing Options and Dimensions



| Product Length | Arms |
|-----------------|------|
| 230mm - 330mm | 1 |
| 430mm - 1230mm | 2 |
| 1330mm - 2130mm | 3 |
| 2230mm - 3030mm | 4 |

Wet spray finishes

LightGraphix has had four custom colours made up to allow us to give a much closer match to our anodised finishes. This allows us to match the finish of all the component parts of the LED picture light, which is manufactured from many different materials.

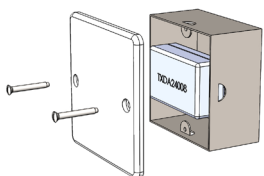


Mounting a driver behind a picture

If the LED driver can not be located remotely then one of the drivers below can be located in a box recessed into the wall behind the picture (wall box supplied by others).

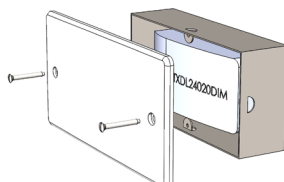
TXDA24008 (8W)

Non dim, to suit standard single gang wall box



TXDL24020DIM (20W)

1-10V dim, to suit standard double gang wall box



Order Codes and Options

| Product code | LED | LED colour | Cover | Finish |
|--------------|-----|------------|-------|--------|
| LD-PL*** | | | | |

Example: LD-PL330 / LG2000 / LW30 / FC / White RAL 9001

Example product length codes

| | |
|-----------------------------|-----------|
| 230mm - Single arm | LD-PL230 |
| 330mm - Single arm | LD-PL330 |
| 430mm | LD-PL430 |
| 530mm | LD-PL530 |
| 630mm | LD-PL630 |
| Custom lengths up to 3030mm | LD-PL**** |

LED output options

| LED output options | Suffix |
|------------------------------|---------|
| LG1200 - 1200 lm/m - 10.4W/m | /LG1200 |
| LG2000 - 2000 lm/m - 18W/m | /LG2000 |

LED colour options

| LED colour options | Suffix |
|---|--------|
| Candle White (2000K) - LG1200 & LG2000 only | /LW20 |
| Super Warm White (2400K) - LG1200 & LG2000 only | /LW24 |
| Extra Warm White (2700K) | /LW27 |
| Warm White (3000K) | /LW30 |
| White (4000K) | /LW40 |
| Cool White (5000K) | /LW50 |

Cover options

| | |
|---------|-----|
| Clear | /CC |
| Frosted | /FC |

Finish options

Paint finishes – Matt white RAL 9016, Cream white RAL9001, Matt black 9005, Antique bronze, Satin antique brass, Satin brass, Silver anodised
Special finishes – please discuss with our sale team

To be used with 24V constant voltage LED Drivers and Controllers

We offer a range of drivers with 1-10V, DMX, DALI and Mains dimming options. Please download the data sheet from the downloads section at www.lightgraphix.co.uk, or contact us for more information